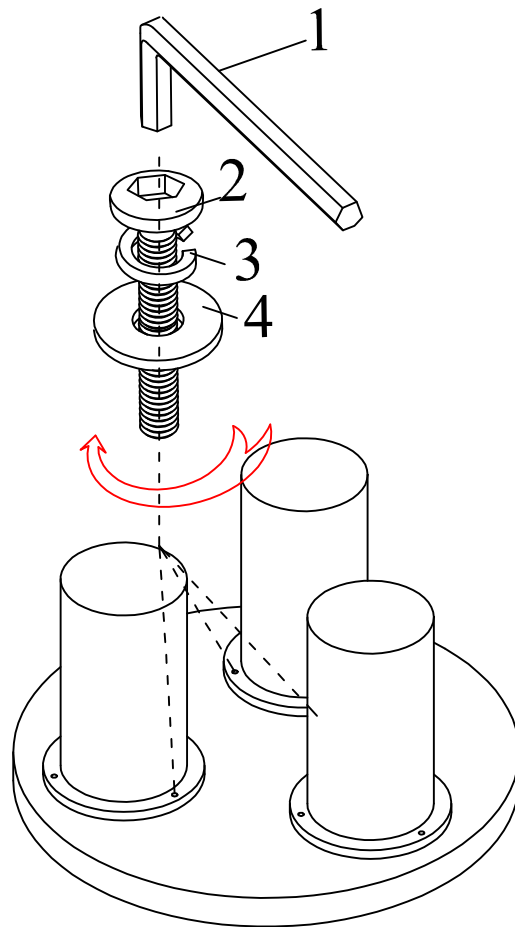


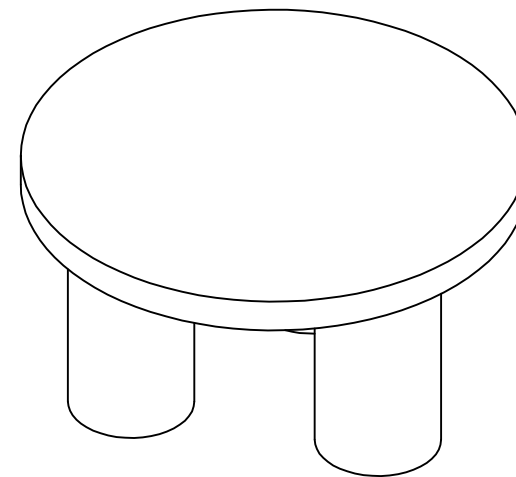
ASSEMBLY INSTRUCTIONS

KFZ87680

Step 1

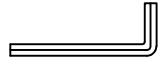





Finish



Please leave bolts loosened until all bolts are placed before tightening completely

Hardware

1		"L" Wrench	1pc
2		Bolt 8*45mm	9pcs
3		Spring Washer	9pcs
4		Flat Washer	9pcs