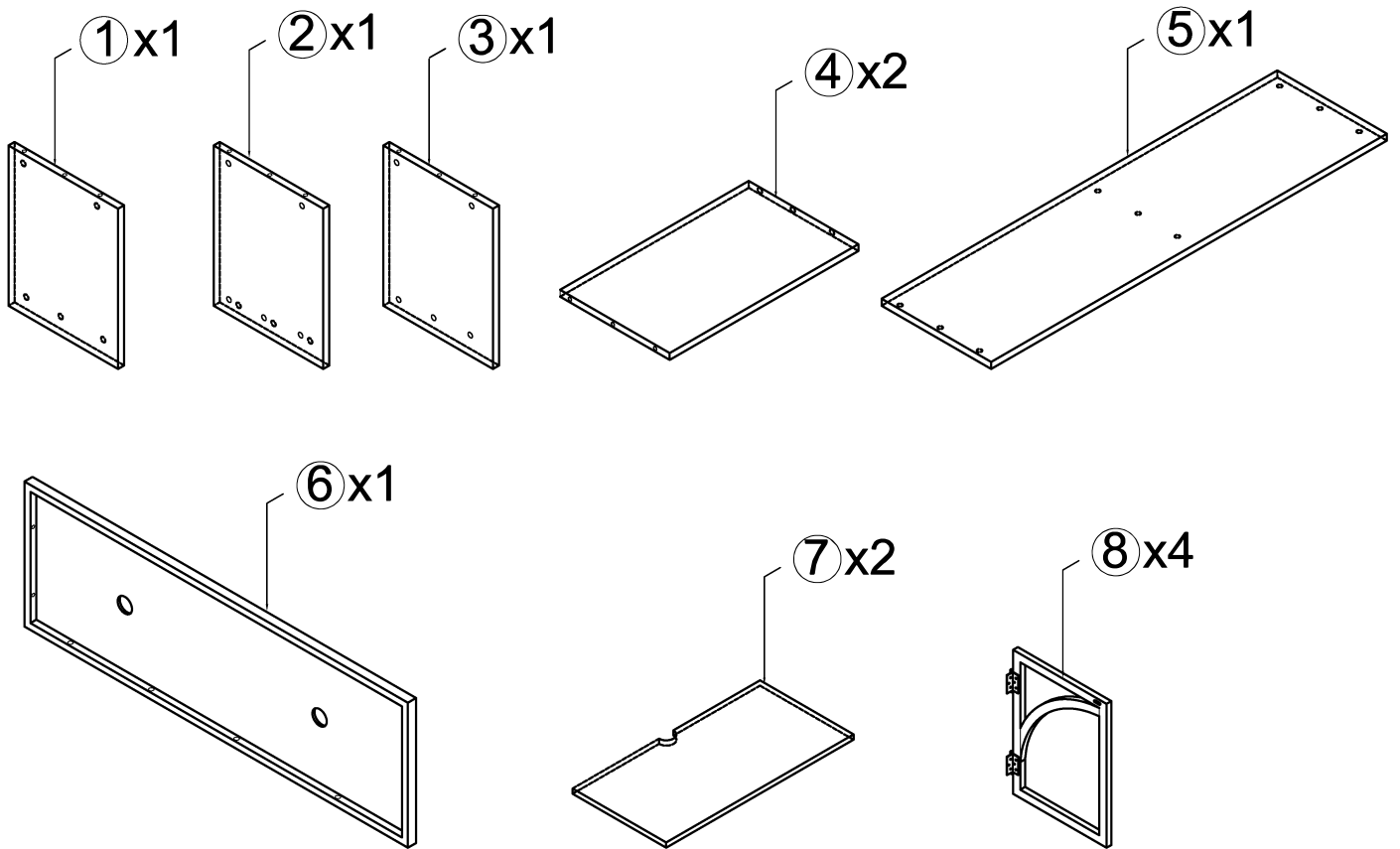






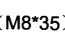






ASSEMBLY INSTRUCTIONS

For DSG81530N TV floor cabinet

BOX 1

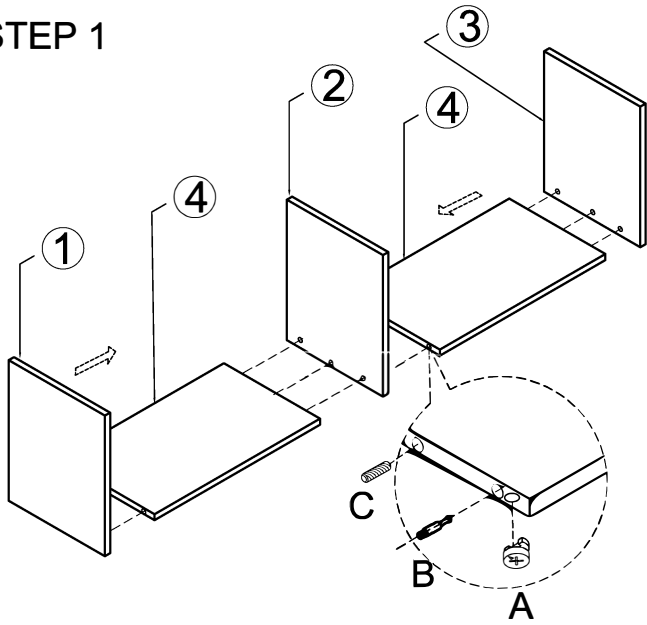


No.	Hardware	Sketch	Q'ty	No.	Hardware	Sketch	Q'ty
A	Cam Lock		12 PCS	G	push technology		4 PCS
B	Cam Lock Screw		12 PCS	H	Magnetic attraction		8 PCS
C	Dowel		7 PCS	I	Screw	 (M3.5*15)	88 PCS
D	8- Inside Bolt	 (M8*35)	12 PCS	J	Metal Hinge		8 PCS
E	Flat Washer		12 PCS	K	Shelf Pin		12 PCS
F	Wrench (M8)		1 PCS				

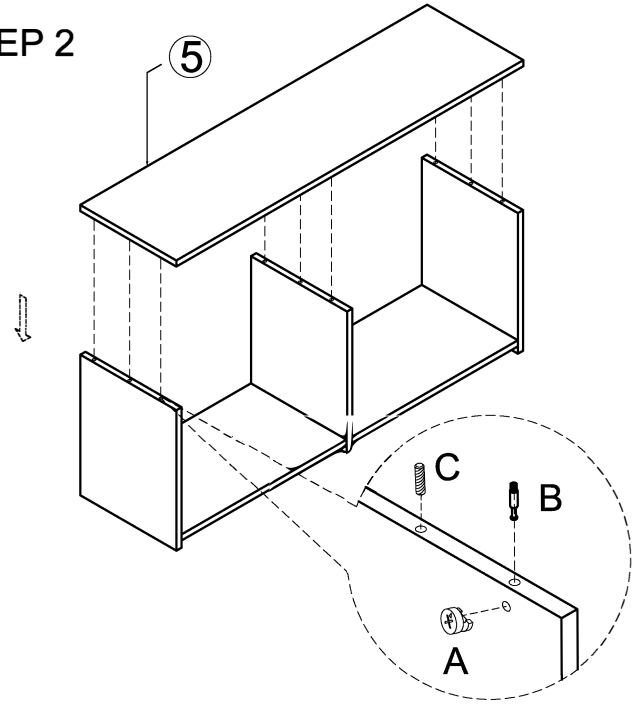
ASSEMBLY INSTRUCTIONS

For DSG81530N TV floor cabinet

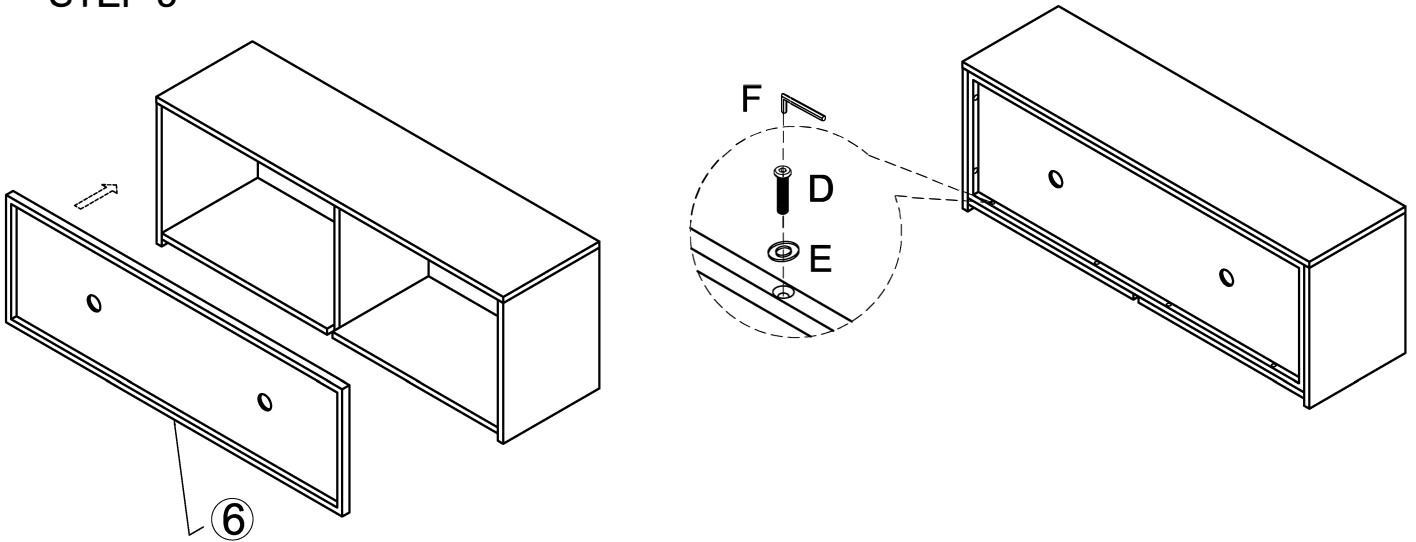
STEP 1



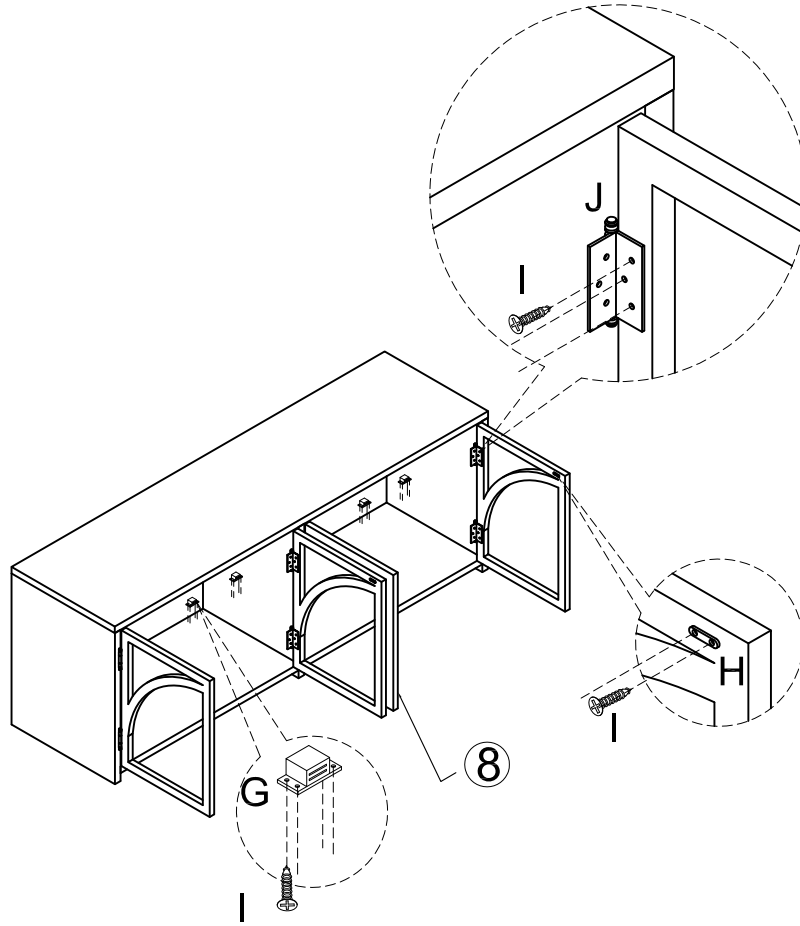
STEP 2



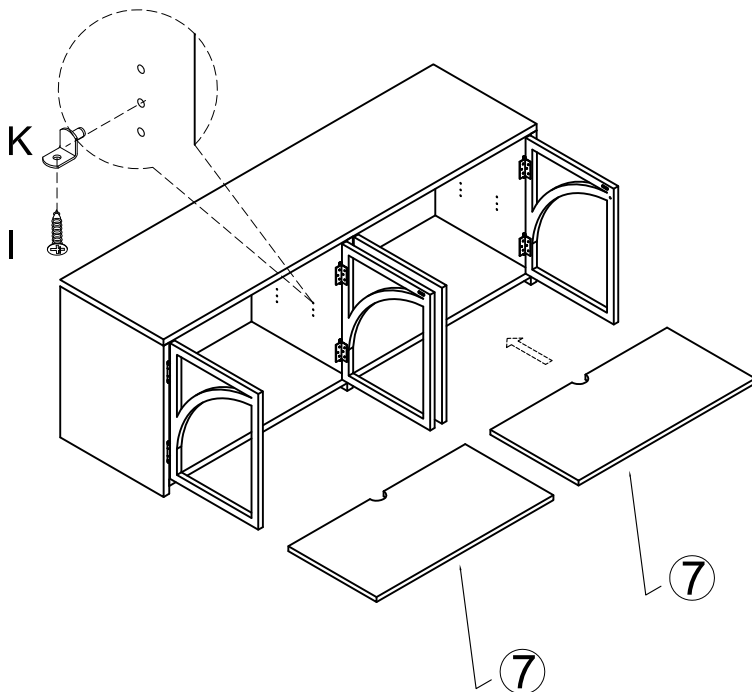
STEP 3



STEP 4



STEP 5



STEP 6

