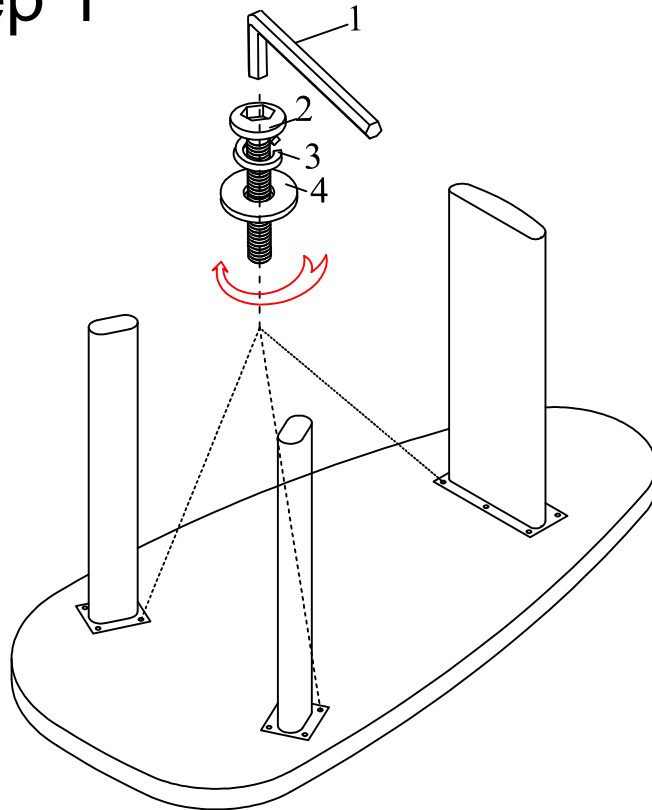


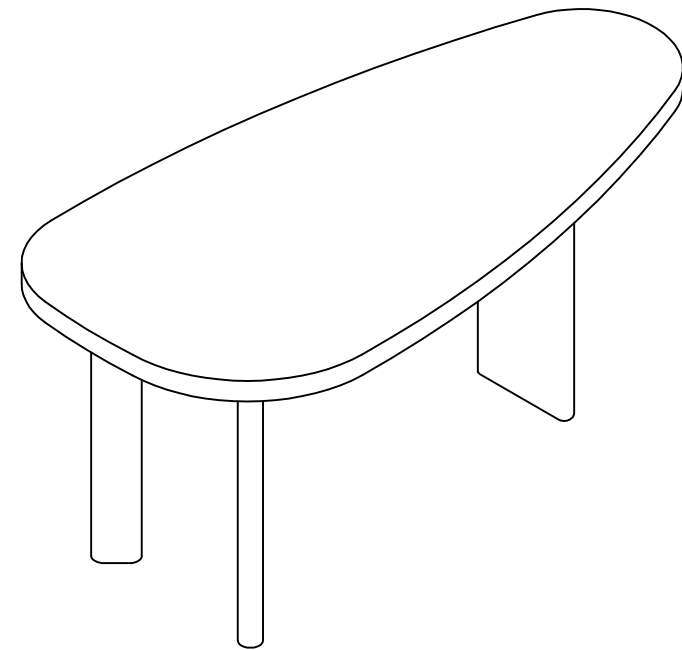
# ASSEMBLY INSTRUCTIONS

## CZ87690

### Step 1



### Finish



Please leave bolts loosened until all bolts are placed before tightening completely

### Hardware

1		"L" Wrench	1pc
2		Bolt 8*25mm	14pcs
3		Spring Washer	14pcs
4		Flat Washer	14pcs