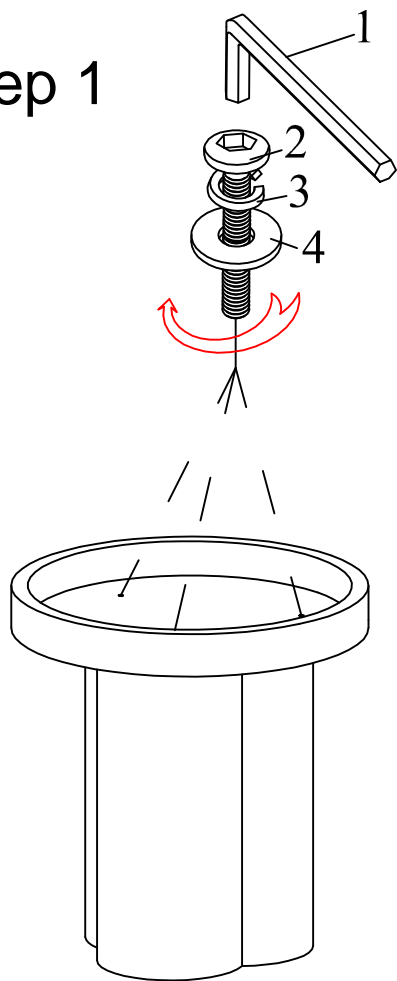


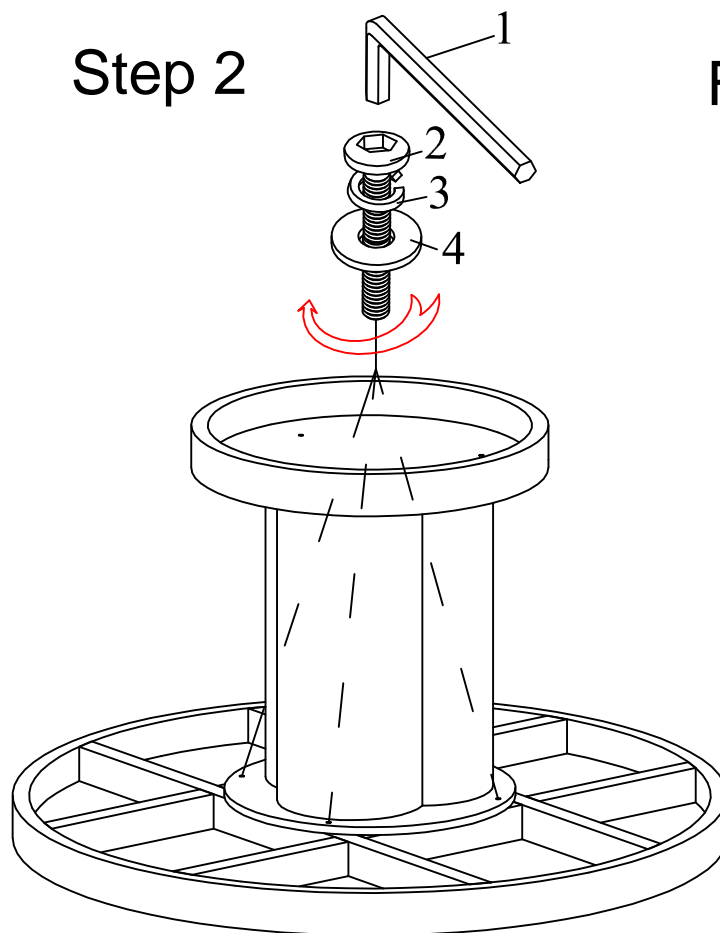
# ASSEMBLY INSTRUCTIONS

## BGZ87850

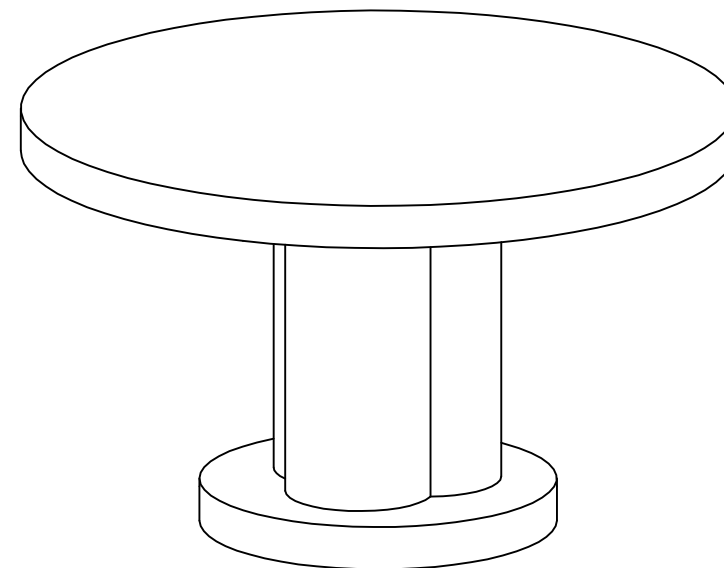
Step 1



Step 2



Finish



Please leave bolts loosened until all bolts are placed before tightening completely

### Hardware

|   |   |                     |      |
|---|---|---------------------|------|
| 1 |  | "L" Wrench          | 1pc  |
| 2 |  | British Bolt 8*45mm | 7pcs |
| 3 |  | Spring Washer       | 7pcs |
| 4 |  | Flat Washer         | 7pcs |