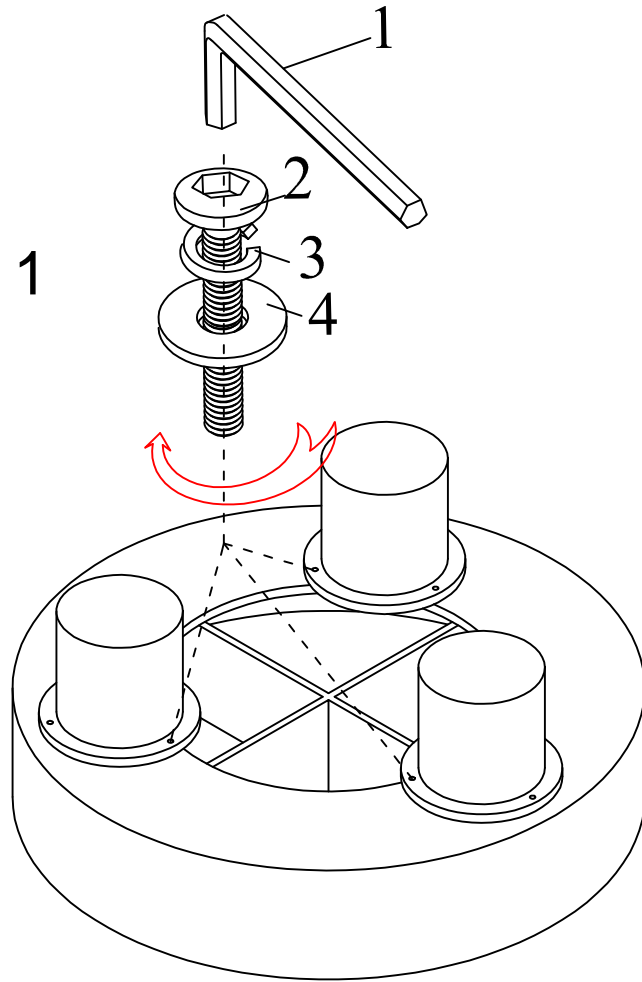


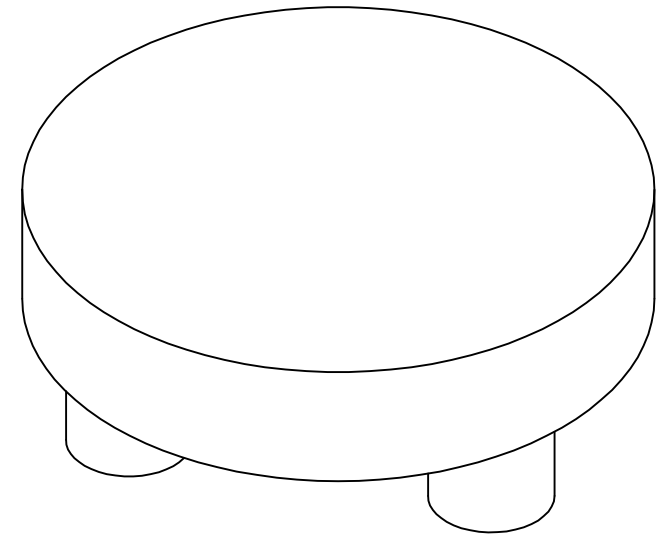
# ASSEMBLY INSTRUCTIONS

## 84620

Step 1





Finish



Please leave bolts loosened until all bolts are placed before tightening completely

### Hardware

|   |   |               |      |
|---|---|---------------|------|
| 1 |  | "L" Wrench    | 1pc  |
| 2 |  | Bolt 8*45mm   | 9pcs |
| 3 |  | Spring Washer | 9pcs |
| 4 |  | Flat Washer   | 9pcs |