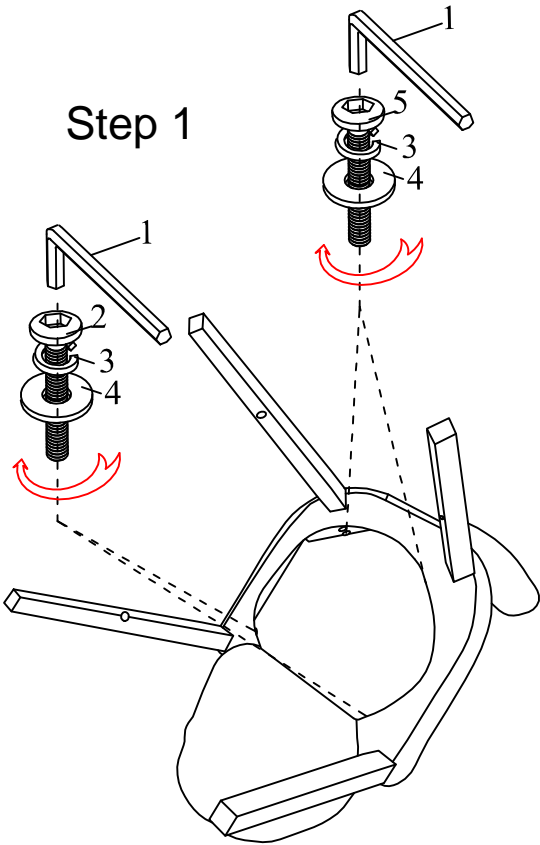


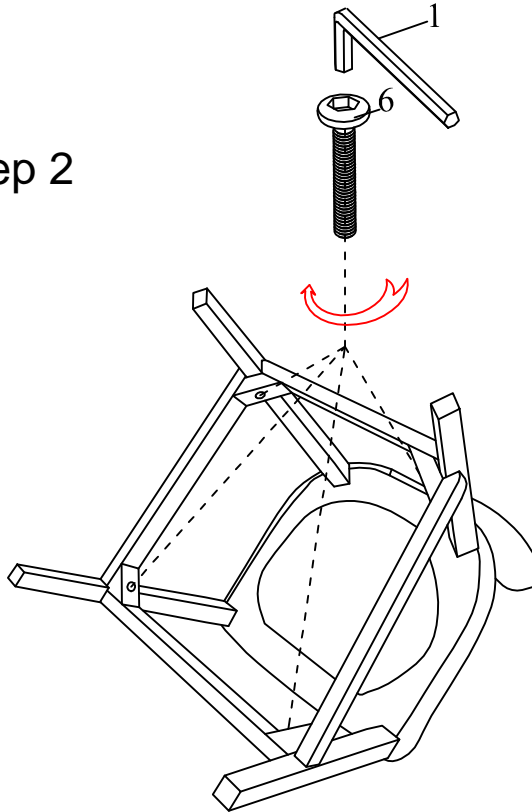
ASSEMBLY INSTRUCTIONS

81411-XXX-2P

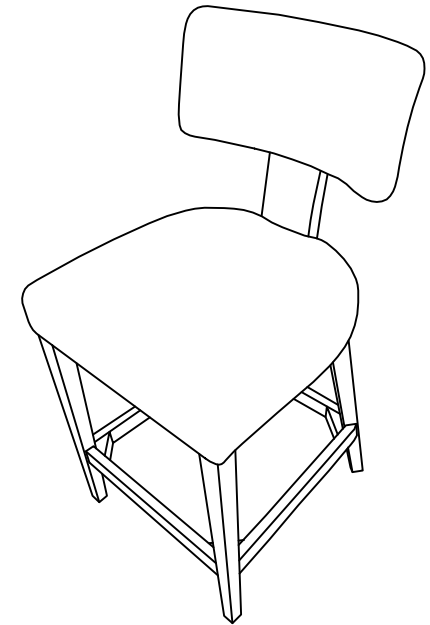
Step 1



Step 2

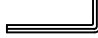







Finish



Please leave bolts loosened until all bolts are placed before tightening completely

Hardware

| | | | |
|---|---|---------------|------|
| 1 |  | "L" Wrench | 1pc |
| 2 |  | Bolt 8*50mm | 4pcs |
| 3 |  | Spring Washer | 4pcs |
| 4 |  | Flat Washer | 4pcs |
| 5 |  | Bolt 8*60mm | 4pcs |
| 6 |  | Bolt 8*30mm | 4pcs |