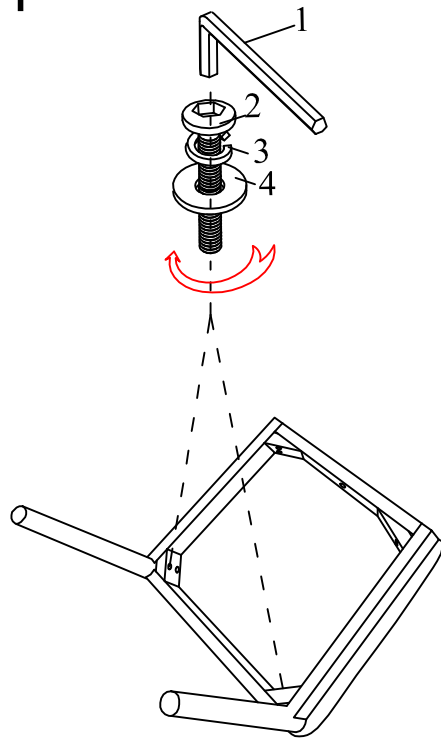


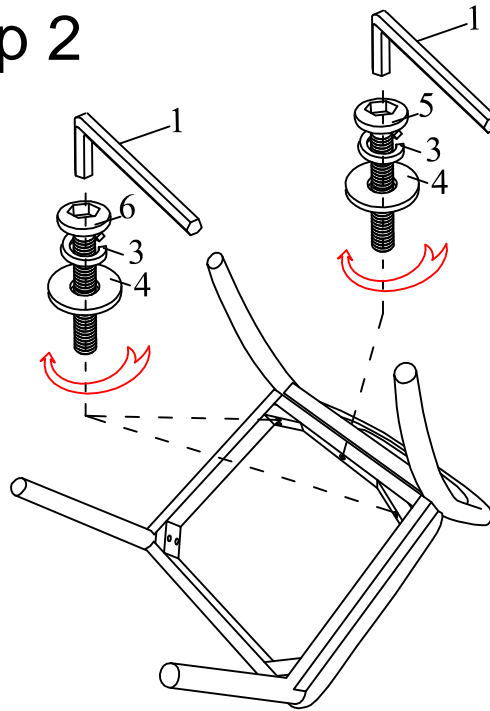
# ASSEMBLY INSTRUCTIONS

## 80130- XXX -2P

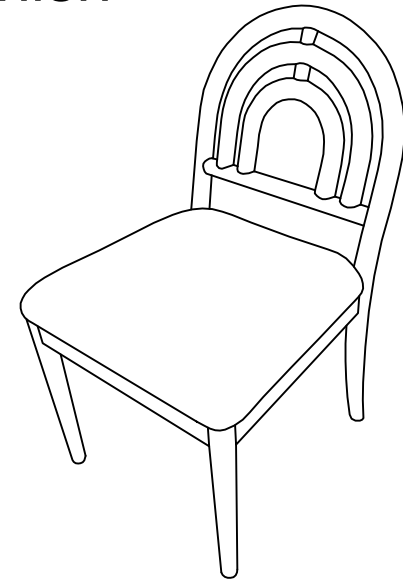
Step 1



Step 2

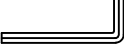







Finish



Please leave bolts loosened until all bolts are placed before tightening completely

### Hardware

1		"L" Wrench	1pc
2		Bolt 8*60mm	4pcs
3		Spring Washer	9pcs
4		Flat Washer	9pcs
5		Bolt 8*45mm	1pcs
6		Bolt 8*80mm	4pcs