





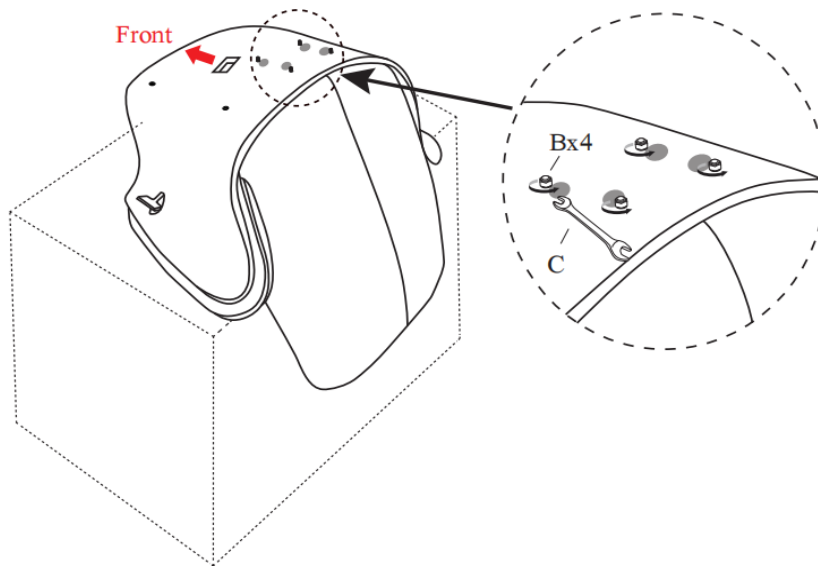
LOUNGE CHAIR & OTTOMAN SET ASSEMBLY INSTRUCTION (TOTAL 2 BOX)



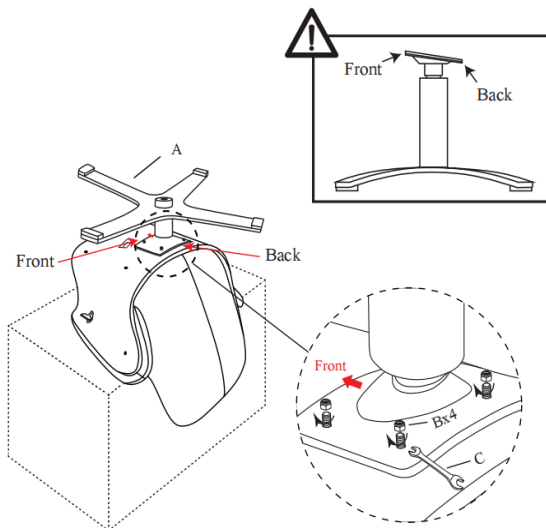
Lounge Chair

A	Base	 x 1
B	Nut	 x 4
C	Spanner	 x 1
D	Headrest	 x 1

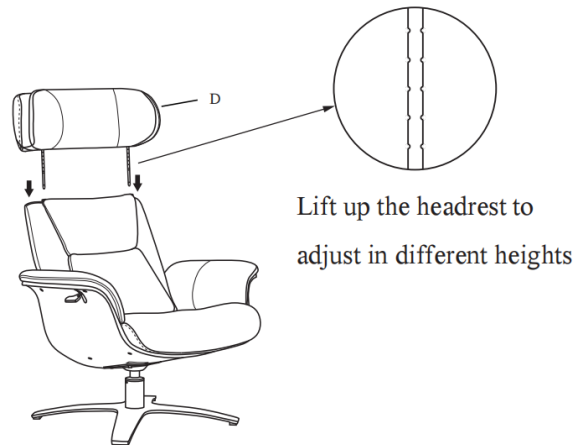
1 Remove the nut from screw on the bottom of chair before install the base.



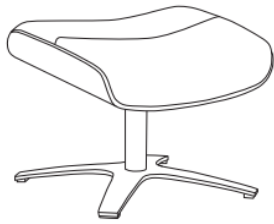
2 Do not fully tighten the bolts until all bolts are installed






3 Insert the headrest.



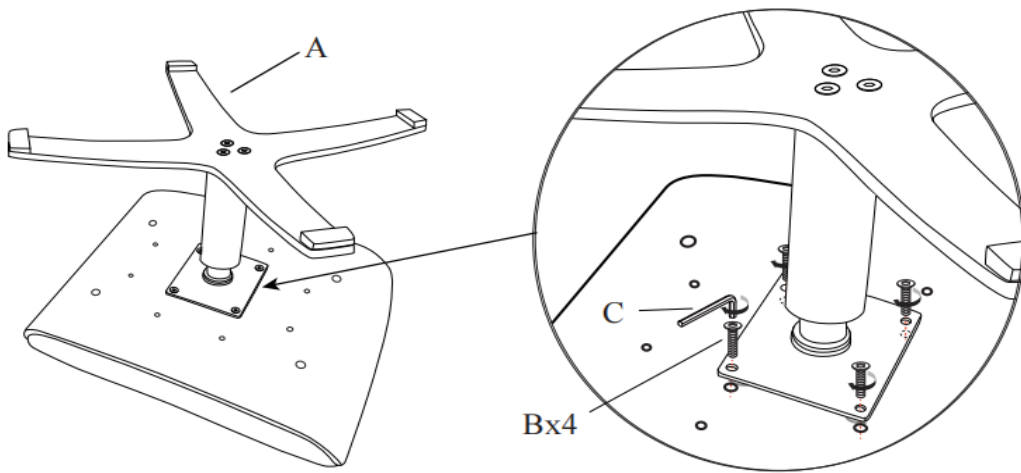
LOUNGE CHAIR & OTTOMAN SET ASSEMBLY INSTRUCTION (TOTAL 2 BOX)



Ottoman

A	Base	 x 1
B	Bolt	 x 4
C	Allen Key	 x 1

1 Use allen key and bolts to fix base and ottoman



2

